

CULTURAL PROPERTY PROTECTION IN THE OPERATIONS PLANNING PROCESS

Report Published on 20 December 2012

PROJECT OVERVIEW

During Operation UNIFIED PROTECTOR (OUP), NATO forces' performance with regard to avoiding damage to cultural property in Libya was well received by academia and in the media. Staff at HQ Supreme Allied Commander Transformation (SACT) Strategic Plans and Policy Branch believed that NATO's successful efforts at Cultural Property Protection (CPP) in Libya could form the basis for strengthening NATO's approach to CPP for future operations. The JALLC was subsequently tasked, through the 2012 Programme of Work, to analyze how CPP was conducted and successfully addressed during OUP and make recommendations for incorporating the resulting lessons into NATO's operational planning and execution.

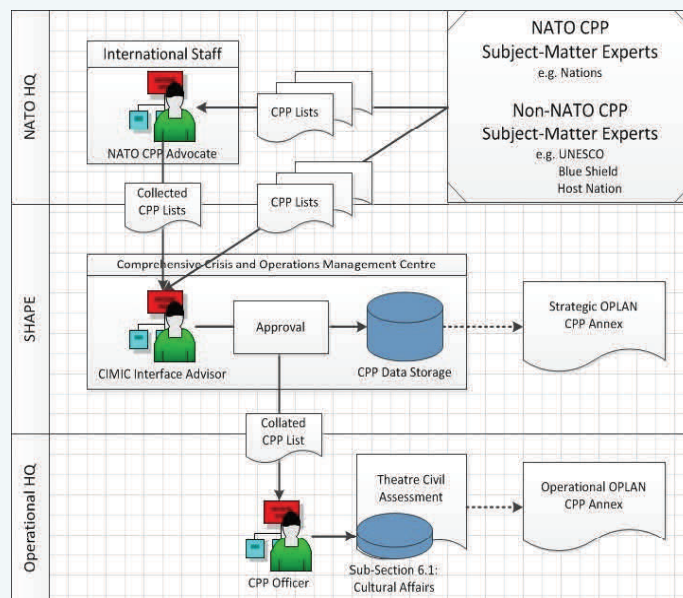
Initial research into what cultural property is in terms of CPP was undertaken by the project team. This included investigating NATO's and the Nation's CPP related international legal responsibilities, as well as which international organizations have an interest in CPP in order to identify contacts for further CPP related data collection.

The conclusions from this study were used to create a set of recommendations for the further institutionalization of CPP within NATO.



LTC Vieira, the Project Manager, in Austria for data collection with senior officers at the Austrian Armed Forces Allenstein Training Ground, where several interesting tactical-level CPP concepts are being developed. The UNESCO cultural property Blue Shield plaque is visible on the wall.

MAIN FINDINGS AND RECOMMENDATIONS



JALLC's proposed flow for CPP related information within NATO

In NATO, CPP is treated as an operational-level sub-element of Environmental Protection and Civil-Military Cooperation (CIMIC), and is included in targeting doctrine, but is not covered as a stand-alone issue in strategic-level policy or doctrine. NATO policy should be created for CPP featuring the commitment of the Alliance to protect cultural property, adequate definitions, and clear designation of CPP related roles and responsibilities within NATO.

NATO's CPP obligations under international law can be met by using existing tools, procedures and processes that fulfill similar functions in other areas. The case study of OUP shows that while the NATO targeting process is capable of supporting CPP, targeting is not the best functional proponent for leading CPP efforts in a NATO operation. CIMIC, through the Theatre Civil Assessment, is better suited for taking the lead on obtaining, collecting, and making cultural property information available to those who require it. Existing NATO doctrine should be amended to reflect that CIMIC be the functional proponent for CPP, and cultural property information should be included in the Theatre Civil Assessment.





NATO
OTAN



MAIN FINDINGS AND RECOMMENDATIONS (CONT'D)

Regarding training, CPP is addressed in some NATO courses but greater scope and depth on the subject would benefit NATO's approach to CPP. Therefore, relevant NATO training courses should be updated and/or created to provide deeper and broader CPP specific training to those working in CIMIC, operations planning, and targeting functional areas.

PROJECT EXECUTION

The research performed by the project team established the criteria by which NATO's conduct of CPP in OUP was measured, allowing the project team to hypothesize that NATO's successes in protecting cultural property in OUP were based on deliberate and mature operational planning within NATO rather than measures taken at the time of OUP. That hypothesis was tested by gaining a thorough understanding of how CPP was addressed in all phases of OUP, through interviews, further research, and examining what NATO policy and doctrine exists to support CPP.

Research was conducted at the JALLC in Monsanto, Lisbon, Portugal from July 2012 to December 2012 with data collected in Italy, Austria, Germany and Belgium. Several organizations provided data for this report, including the US Committee of the Blue Shield, the US Defense Intelligence Agency, the International Military Cultural Resources Working Group, the NATO Intelligence Fusion Centre and the CIMIC Centre of Excellence.

PROJECT TEAM

LIEUTENANT COLONEL FILIPE VIEIRA, PORTUGUESE ARMY

LTC Filipe Vieira is an infantry officer and has served in the Portuguese Army since 1987. He has held multiple command and staff positions including in the Portuguese Infantry School, Lisbon's Military Headquarters, the Mechanized Brigade (1st Mechanized Battalion), Army Operational Command, and in the Office of the Chief of Defence. He has served on multiple missions in Europe and Africa with both the UN and NATO. He joined the JALLC as a military analyst in March 2011.

LIEUTENANT COLONEL THOMAS SPANGENBERG, GERMAN AIR FORCE

LTC Thomas Spangenberg has served in the German Air Force since 1985. After graduating as an aeronautical and space engineer, his military career started in ground based air defence with the Patriot missile system. He attended the German Command and General Staff Officer course and completed several national staff assignments within the German Federal Ministry of Defence and the German Air Force. In 2012, he was posted to the Operational Preparation Directorate in Lisbon and joined the JALLC as a military analyst in November 2012.

MR DAVID ROSS, CIVILIAN ANALYST

Mr Ross is a civilian analyst working for the JALLC. He has master's degrees in computer science and public service management and an undergraduate degree in mathematics. A retired US Air Force colonel, he spent 28 years as an active duty officer, serving at all levels of command. He has extensive military and civilian experience in project management, C2 systems, capability development and intelligence support. Prior to joining the JALLC, Mr Ross served as a military advisor to Bosnia and Herzegovina for one year and to Albania for three years. Overall, he has more than 22 years of experience working in NATO, joint, and coalition environments.

MR DAVID JONES, OPERATIONS RESEARCH ANALYST

Mr Jones is an operational analyst working for the JALLC since February 2011. He has a master's degree in military operational research from the UK Royal Military College of Science, with additional areas of studies in mathematics, statistics and health & safety. After seven years with BAE Systems, he became a contractor for the UK Defence Science and Technology Laboratory.

PROJECTFACTSHEET



JALLC

JOINT ANALYSIS AND LESSONS LEARNED CENTRE
AVENIDA TENENTE MARTINS – MONSANTO
1500-589 LISBON
PORTUGAL

PHONE: +351 21 771 7007/8/9
FAX: +351 21 771 7098

NATO'S LEAD AGENT FOR JOINT ANALYSIS

All JALLC Reports, the LL Portal, and NATO LLDb Items may be found in their entirety under the *Products* section on the NS WAN:
<http://www.jallc.nato.int>

Non-classified reports and LLDb Items, Project FactSheets, the Joint Analysis Handbook and Lessons Learned Handbook can be found on JALLC's Internet site at the same [address](#).

A proud member of Allied Command Transformation

